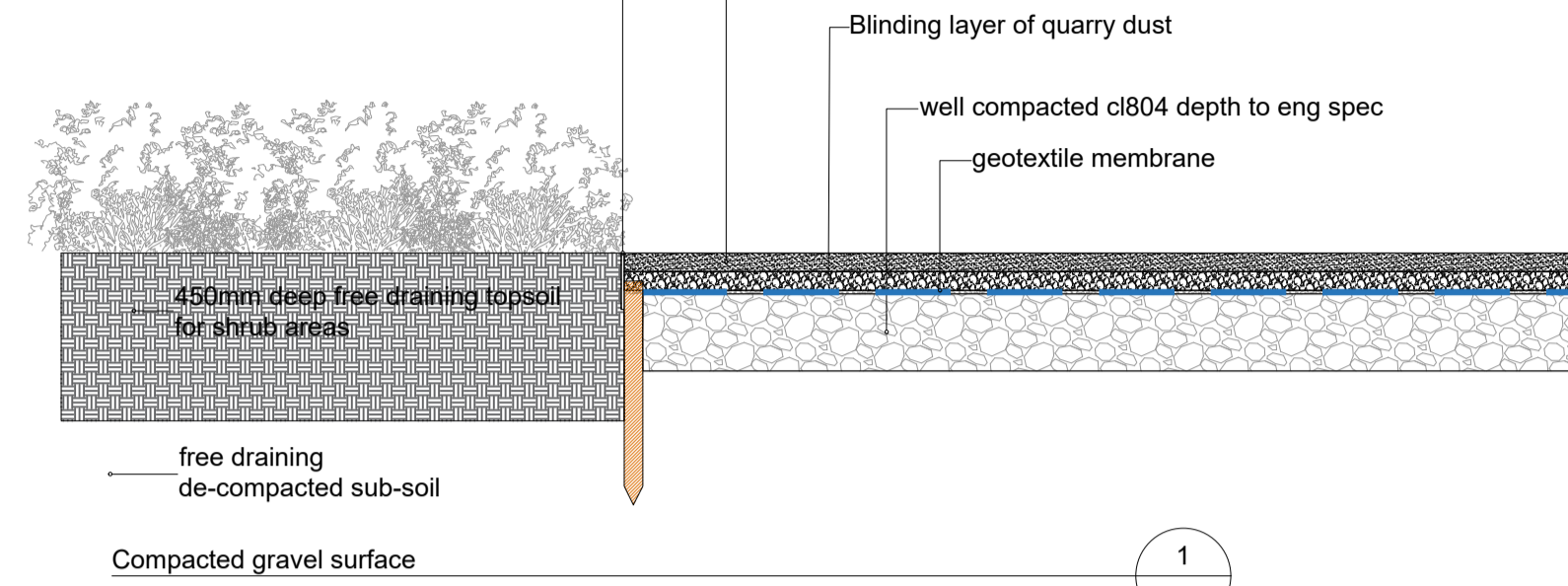


PROPOSED METAL RETAINING EDGE

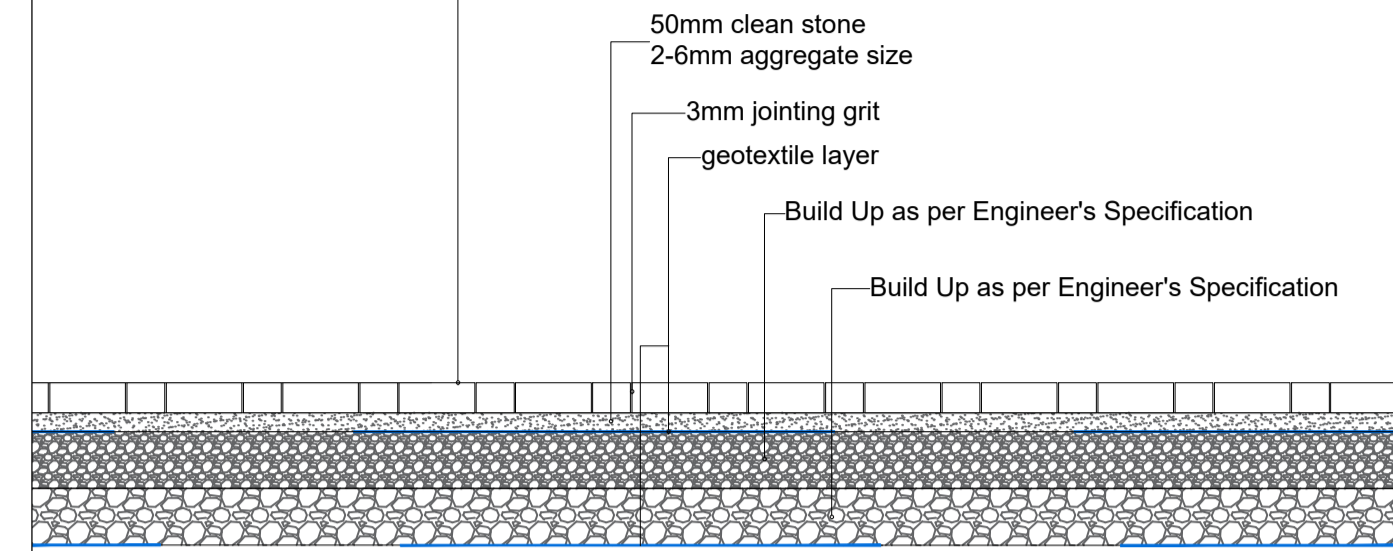
- profile height: 150 mm
- laid: flush
- rigid format to form straight lines, non-rigid format to form curves
- material: steel galvanised to BS EN ISO 1461
- dimensions: 150mm x 8mm x 3m
- accessories: 5No. fixing stakes 50mm square and 600mm long at 500mm centres and 2No. connector strips per 3m length

- **PROPOSED COMPACTED GRAVEL**
- 50mm depth
- 6mm to dust
- colour: buff
- laid to fall
- compacted in 2 layers of 25mm each when damp

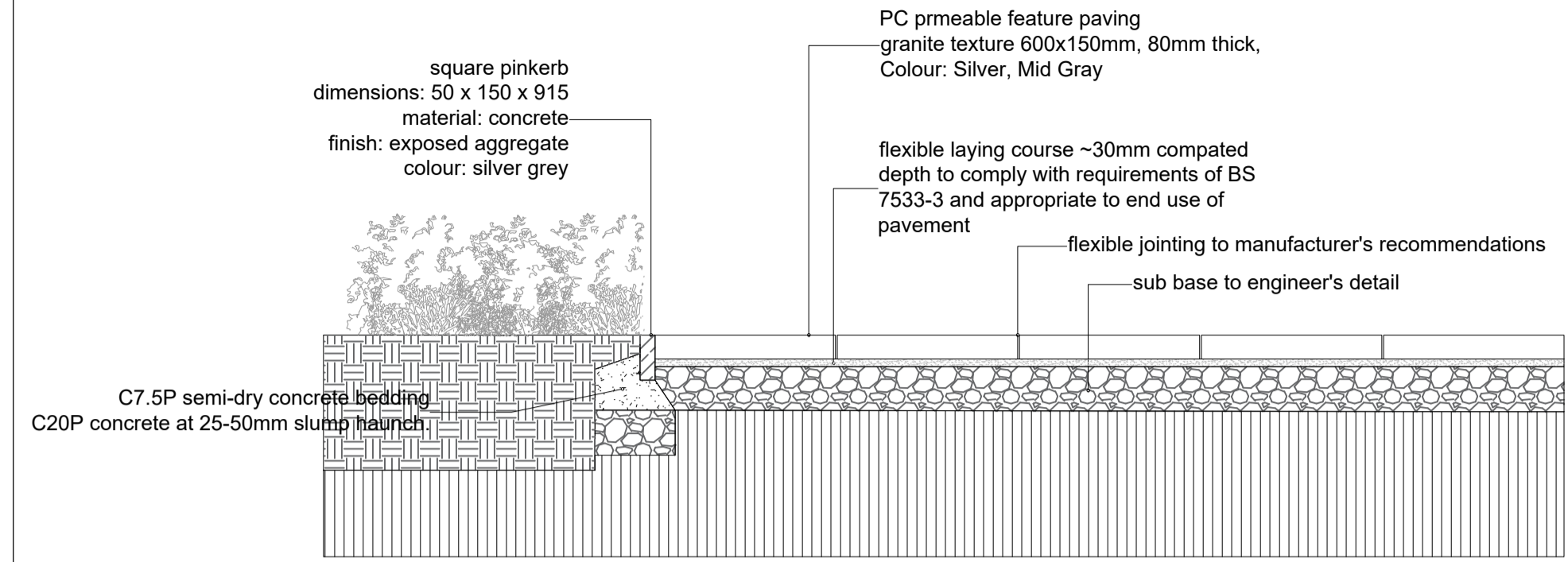


1
301

- **PROPOSED PERMEABLE PC CONCRETE BLOCK PAVING**
- 200x100 mm, 80mm thick
- Colour: granite/md grey granite surface finish,
- relevant standard: BS EN 1338:2003
- accessories: integral spacer nib to reduce joint size

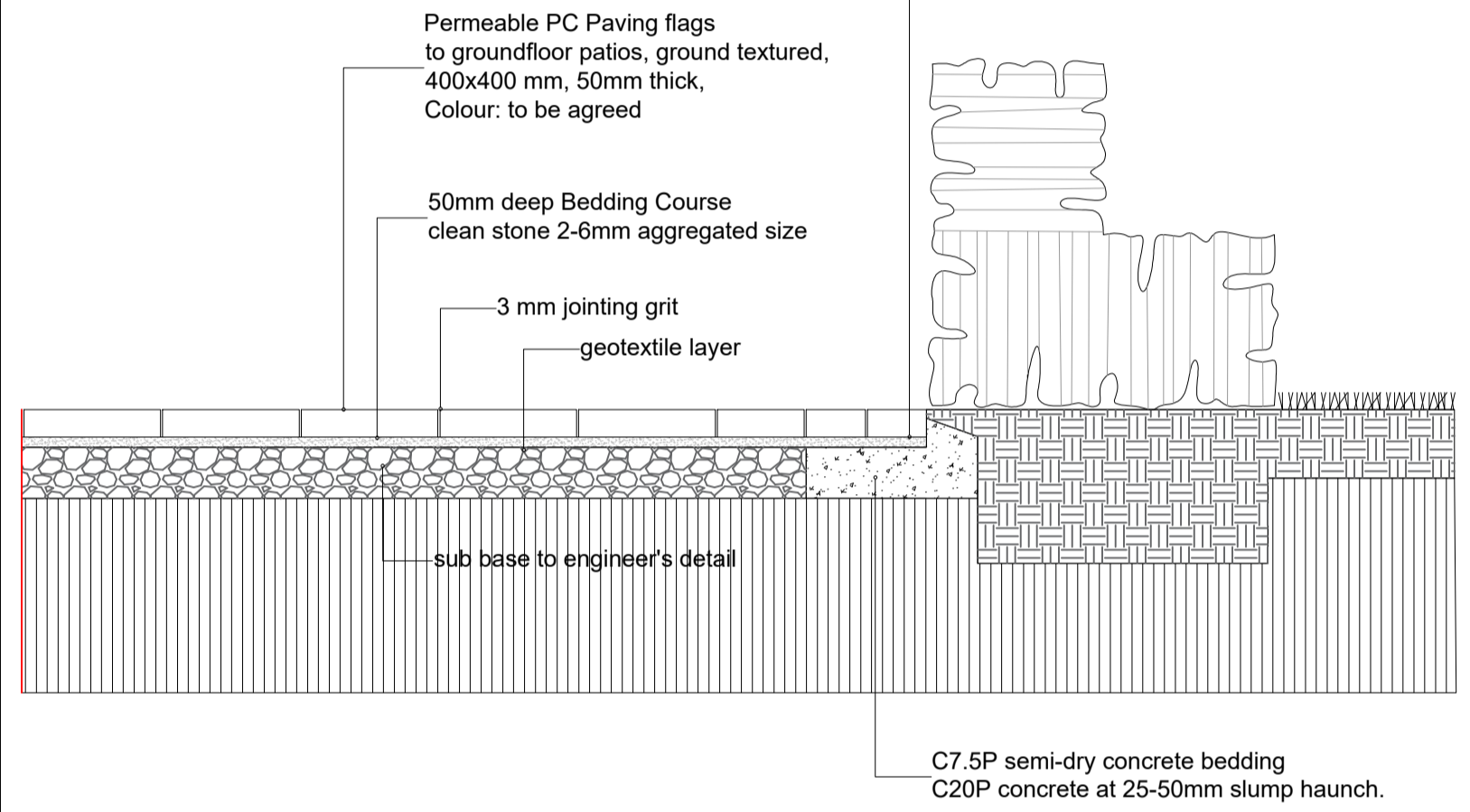


2
301



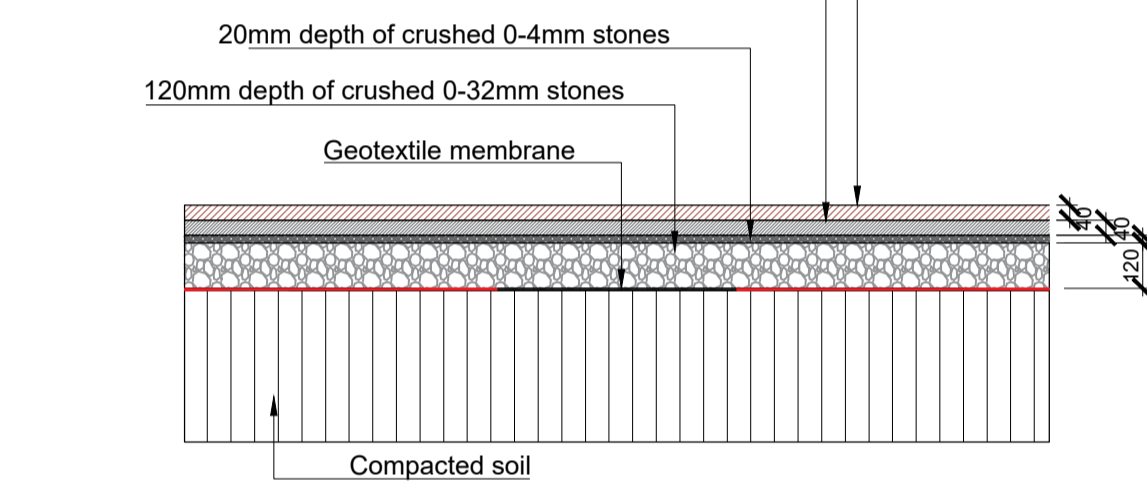
3
301

2 ROWS PC CONCRETE SETT PAVING edge
173 x 173 x 80mm deep, integral spacer nibs
colours: slate



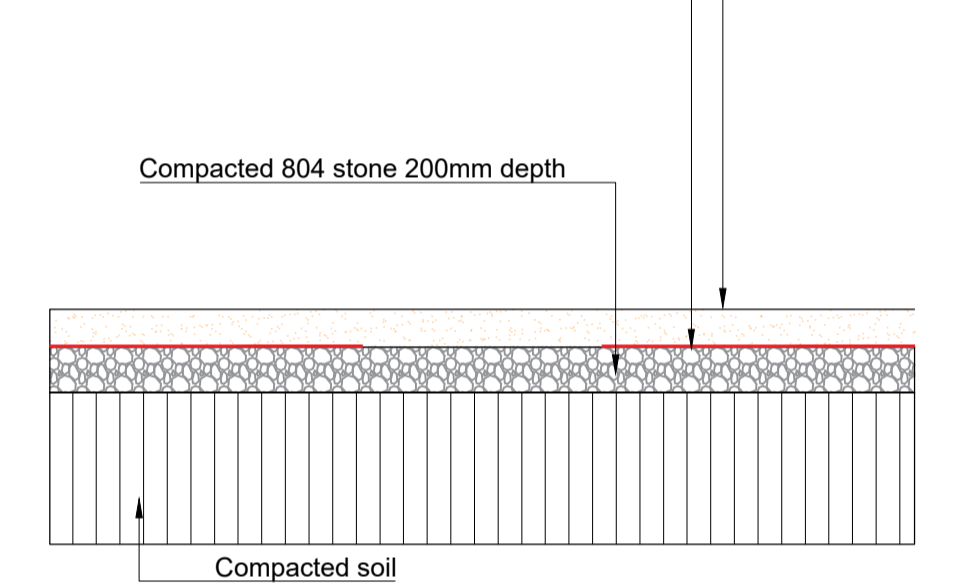
4
301

- **P11 Coloured rubber mulch safety surface**
(min.40mm or per manufacturer recommendation)
- To be in accordance to the standard EN-1177:2008
- Play surface and build up to manufacturer/supplier detail and specification.

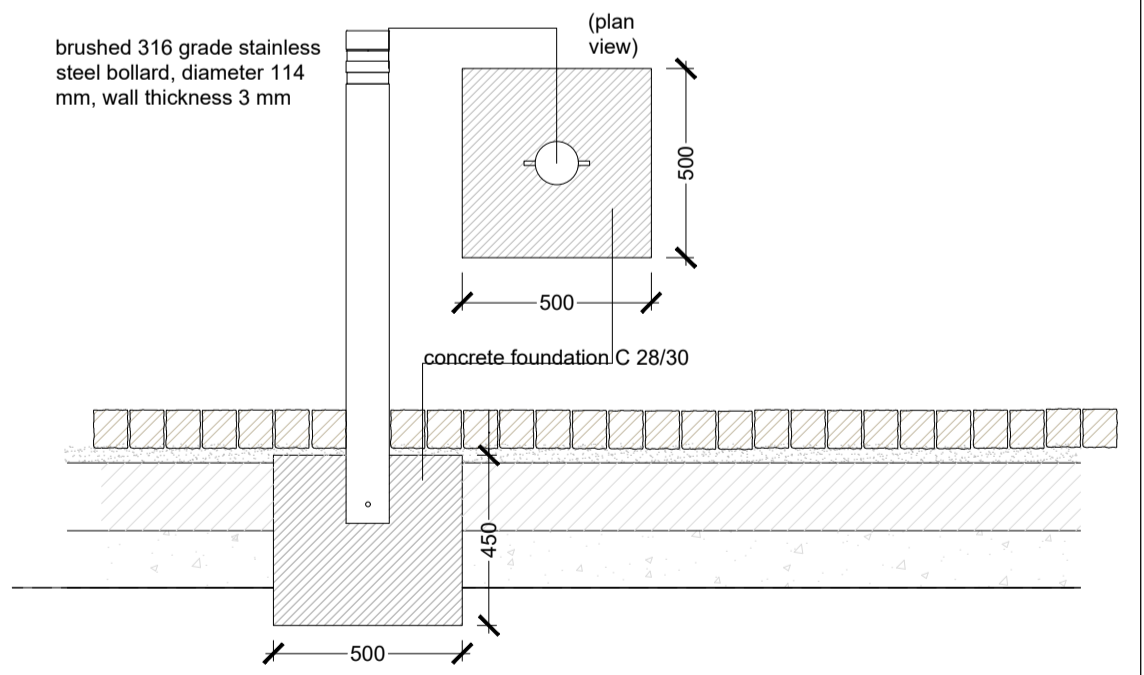
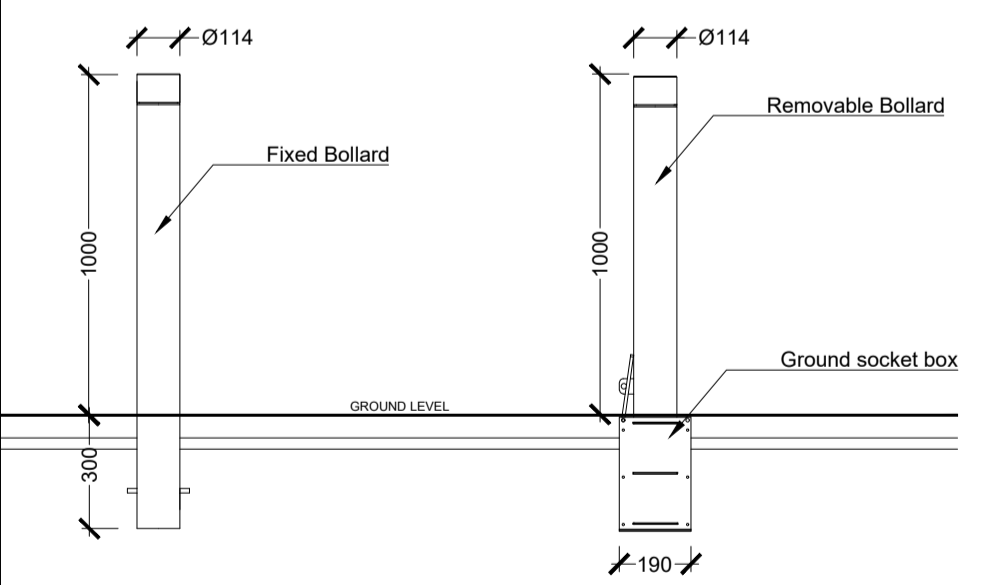


5
301

- **Playsand safety surfacing**
depth to comply with critical fall heights of specified equipment
- To be in accordance to the standard EN-1177:2008
- Play surface and build up to manufacturer/supplier detail and specification.

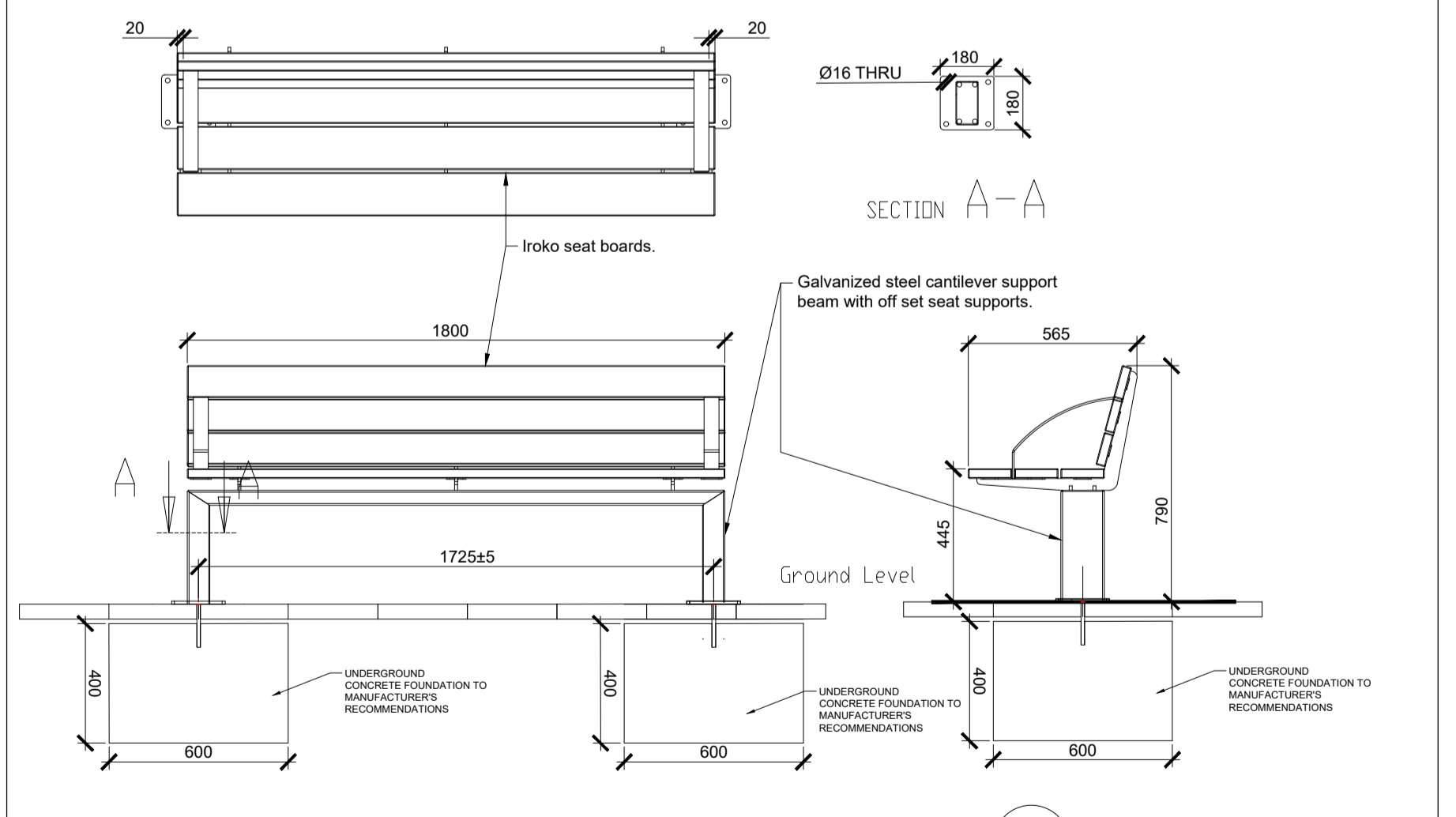


6
301

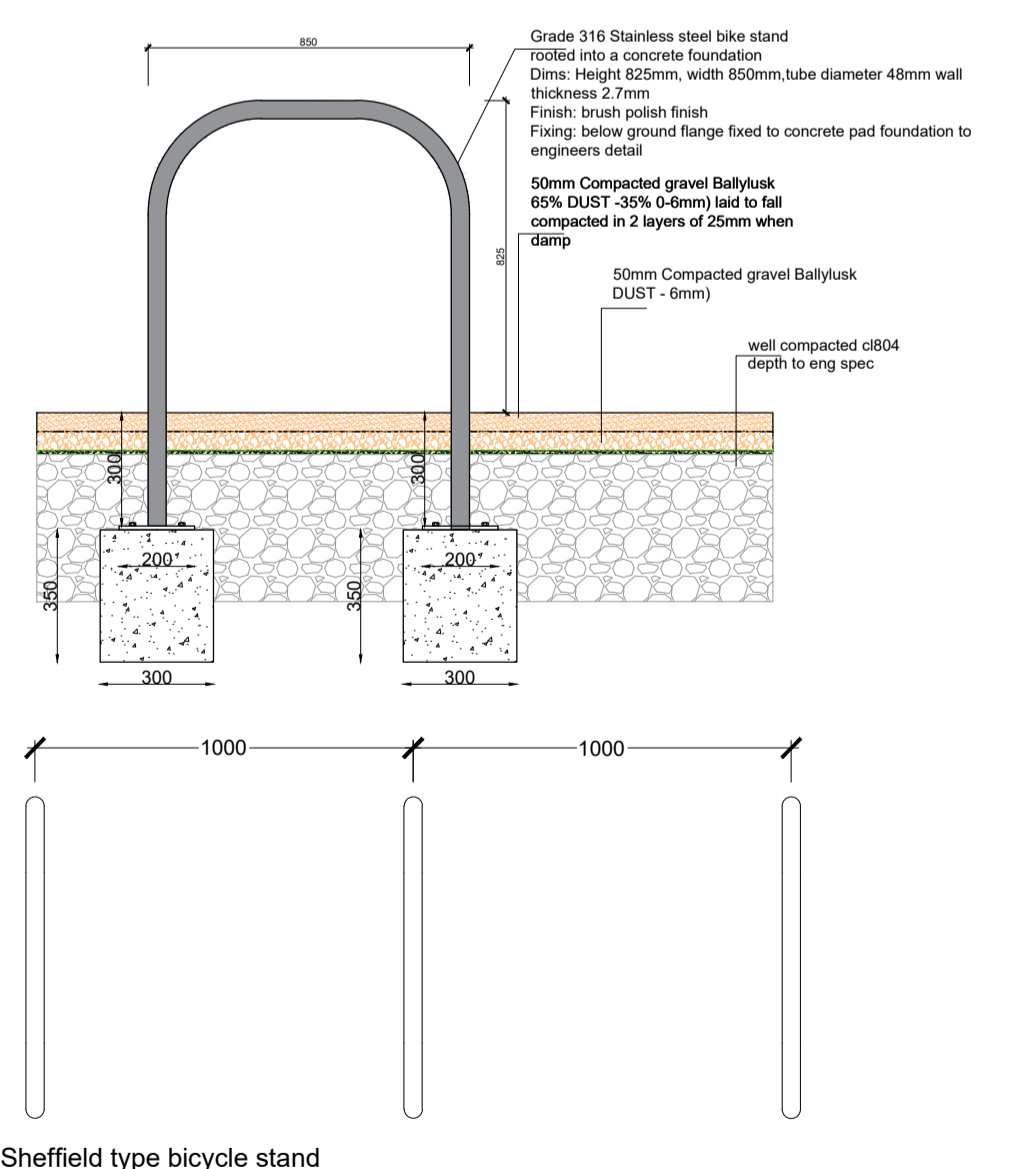


- NOTES:**
1. Refer to GA's for locations and Landscape Specification for detail.
 2. All paving units to be core drilled to receive bollards. Maximum 10mm joint.

7
301



8
301



9
301

LEGEND:

REV	DESCRIPTION	DATE
00	PLANNING	12.07.23

Mitchell + Associates

PROJECT TITLE:
Cherry Orchard Point
CLIENT:
LDA
DRAWING NAME:
Typical hardware details
DRAWING NUMBER:
301
JOB NUMBER:
LCHE014
STATUS:
Planning

DRAWN: VK
CHECKED: FM
SCALE: 1:20 @ A1

NOTES:
All dimensions are in millimeters unless otherwise stated and shall be checked and confirmed by the contractor on site. Any discrepancies shall be immediately reported to the landscape architects. Work to figured dimensions only. Do not scale from drawing. Do Not Scale. Use Figured Dimensions Only. Not for Construction Purposes unless Specifically Marked. © This Drawing is Copyright of Mitchell + Associates.